



NOTES:

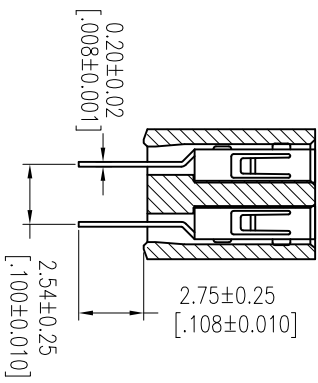
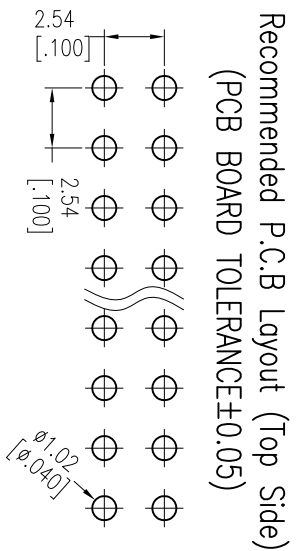
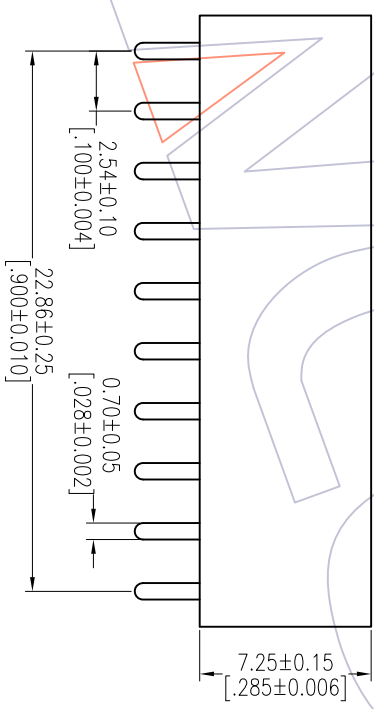
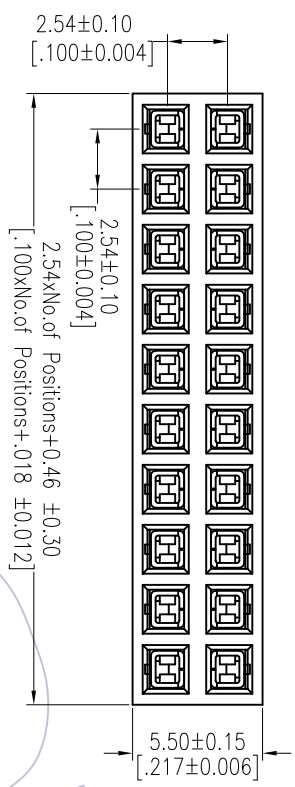
- Rated Current: 3.0AMP.
- Contact Resistance: 20mΩ Max.
- Withstand Voltage: 1000V AC/DC
- Insulation Resistance: 1000MΩ Min.
- Operation Temperature: -40°C to +105°C
- Contact Material: Phosphor Bronze
- Contact Plating: Au or Sn Over Ni
- Insulator Material: PA9T+30%G.F UL94V-0 BK

Ordering Information

2171T-2 XX S XX GUN T 1

- No. of Pins Per Row: 02-40
- Contact Plating
- G0=Gold Flash
- G3=10u"Gold
- G4=15u"Gold
- G5=30u"Gold
- S0=Gold Flash/Tin
- S3=10u"Gold/Tin
- S4=15u"Gold/Tin
- S5=30u"Gold/Tin
- SN=Tin
- SM=Mate Tin

Packing T=Tube



REV	DATE	MODIFICATION DESCRIPTION	CHANGE	OPERATION	DRAW	DATE	SCALE	PART NO.	TITLE:	WCON-Dongguan	WCON-Kunshan
A0	2013/10/22	NEW	-----	X.XX	William Chen	2013.10.22	mm [inch]	2171T-2XXXXXGUNT1			
REV	DATE	MODIFICATION DESCRIPTION	CHANGE	Angle	APPROVE	DATE	SHEET	Customer NO.		Tel: +86 769 85358920	Tel: +86 512 57468408
				± 3'			1/1			Fax: +86 769 85358915	Fax: +86 512 57468468
				DIM	TOL		PROJ.			E-mail: sales@wcon.com	E-mail: sales@wcon.com



Http: www.wcon.com