

HSF

NOTES:

Current Rating: 2.0AMP
 Contact Resistance: 20mΩ Max
 Withstand Voltage: 500V AC/DC
 Insulation Resistance: 1000MΩ Min
 Operation Temperature: -40°C to +105°C

Contact Material: Phosphor Bronze
 Contact plating: Au Or Sn over Ni
 Insulator Material: LCP+30%G.F UL94V-0

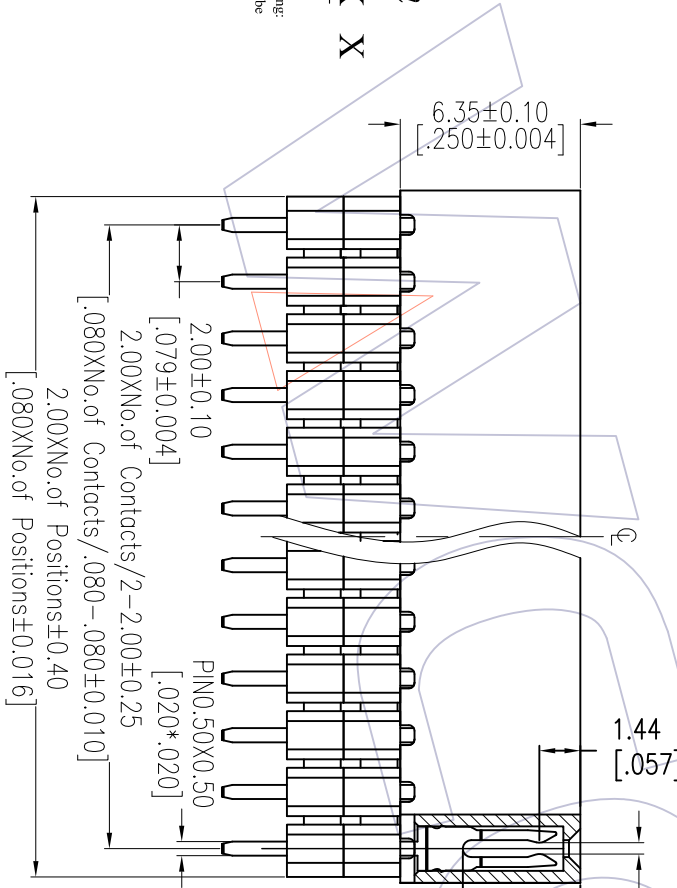
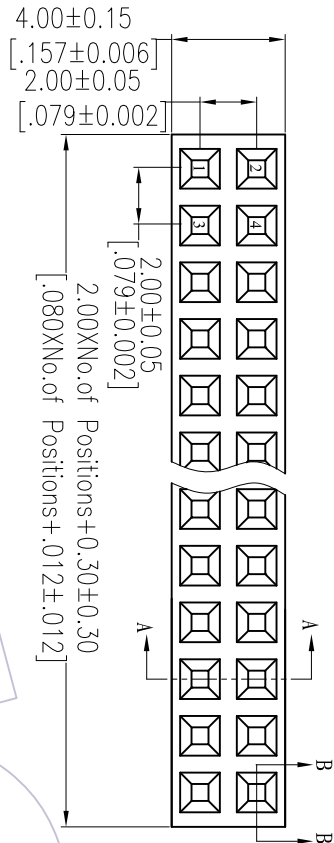


Ordering Information

2263D - 2 XX S XX D Y N X X

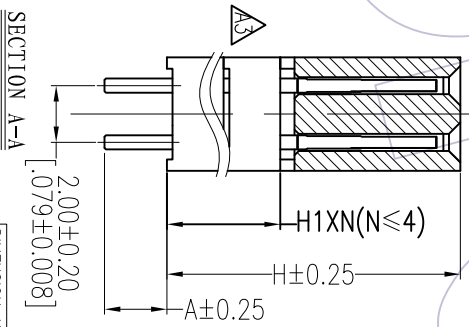
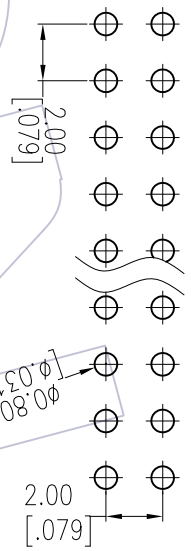
No. of Pins per Row: 02-40PIN
 Contact Plating: G=Gold Flash, G3=10μ"Gold, G4=15μ"Gold, G5=30μ"Gold
 Insulator: D=LCP, T=Tube
 Packing: S0=Gold Flash/Tin, S3=10μ"Gold/Tin, S4=15μ"Gold/Tin, S5=30μ"Gold/Tin, SN=Tin, SM=Matte Tin

Item	Pitch	Mating
Standard	2.00	1215/1220
Alternate		



SECTION B-B

Recommended P.C.B Layout (Top Side)
 (PCB BOARD TOLERANCE±0.05)



SECTION A-A

DIMENSION ANTITHESIS LIST	
H1XN(N≤4)	A H H1
STANDARD	3.28 8.35
	2.28 9.35
	3.80 7.85 1.50/
	12.20 9.35
	2.28 19.30
ALTERNATE	13.10 8.35

A3	2016/02/26	Modify: All plastic concave add down	OPERATION	DRAW	DATE	SCALE	FIT	PART NO.
A2	2013/04/26	Modify drawing	X.X	Tong	2016/02/26	mm		2263D-2XXSXDDYNNXX
A1	2012/11/07	Modify right table (Add high explain)	X.XX	CHECK	DATE	A4		TITLE: FH12.00mm DUAL ROW H=6.35 180° DIP ADD HOUSING
A0	2012/07/23	NEW	X.XXX	APPROVE	DATE	1/1		Customer NO.
REV	DATE	MODIFICATION DESCRIPTION	ANGLE					

WCON

Http: www.wcon.com
 WCON-Dongguan Tel: +86 769 85358920
 WCON-Kunshan Tel: +86 512 57468408
 Fax: +86 769 85358915 Fax: +86 512 57468468
 E-mail: sales@wcon.com E-mail: sales@wcon.com