

HSF

NOTES:

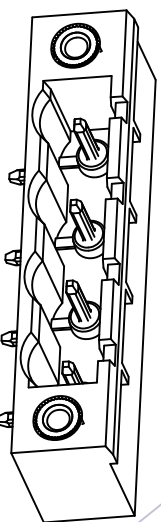
Rated Current:18.0 AMP
 Contact Resistance:8.0 milliohm Max
 Withstand Voltage:2000 V AC/DC
 Insulation Resistance:1000 Megohm min
 Operation Temperature:-40°C to +105°C

Housing Material:PA66+30%GF(UL94V-0)
 Contact Material:Brass
 Terminal Plating:
 Matte Tin Plated Over Nickel

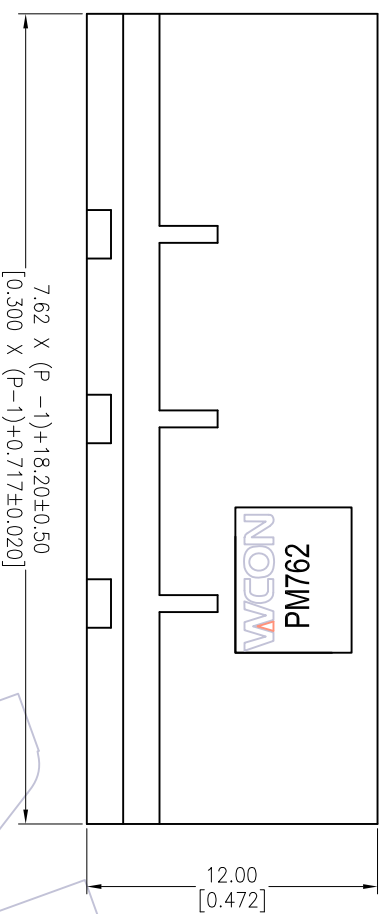
Ordering Information:

P M 762- 1 R XX A SM 2

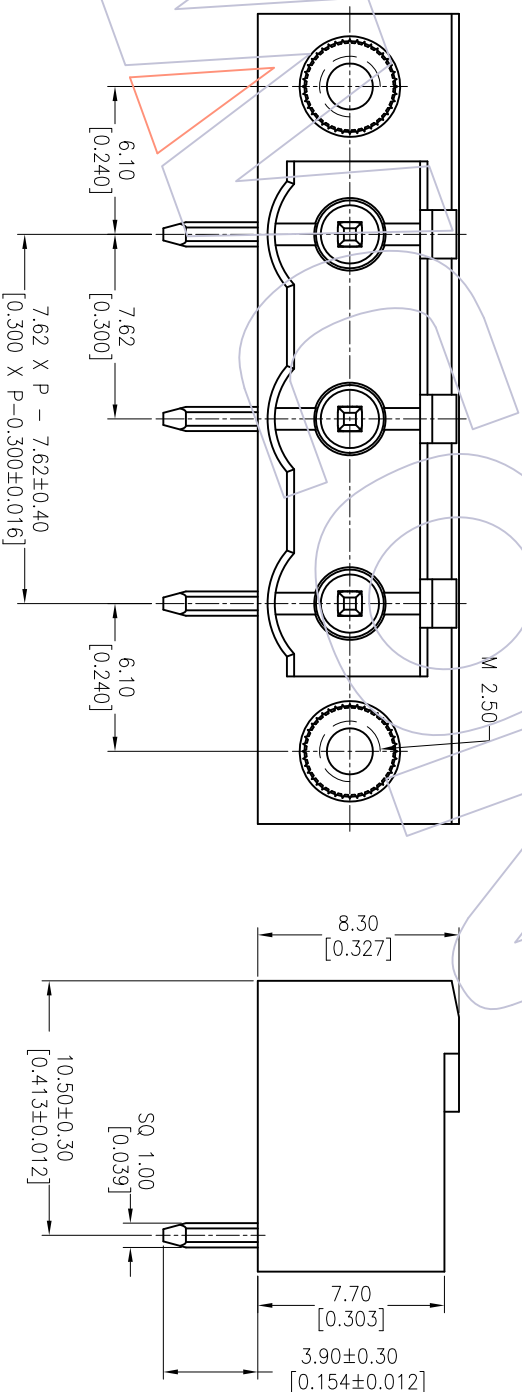
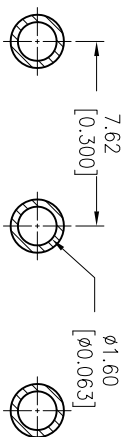
M=Male Pitch No. of Pins Color Contact Plated Series No.
 762=7.62 02-20P A=Green SM=Male Tin




3D VIEW(REF.)
 SCALE: 1:2



Recommended P.C.B Layout(Top Side)
 (PCB BOARD TOLERANCE±0.05)



OPERATION		DRAW		DATE		SCALE		PART NO.		 <p>Http: www.wcon.com</p>	
XX		Tsingsn		2013/10/24		mm		PM762-1RXXASM2			
CHECK		DATE		DATE		inch		TITLE:		<p>7.62mm Pitch Male With Flange Pluggable Terminal Blocks</p>	
X.XXX		±0.25		±0.15		A4		Customer NO.			
X.XXX		±0.15		±0.15		1/1		Customer NO.		<p>WCON-Dongguan Tel: +86 769 85358920 Fax: +86 769 85358915 E-mail: sales@wcon.com</p> <p>WCON-Kunshan Tel: +86 512 57468408 Fax: +86 512 57468468 E-mail: sales@wcon.com</p>	
Angle		± 3'		APPROVE		DATE		Customer NO.			
DIM		TOL		CHANGE		PROJ.		Customer NO.			
REV		DATE		MODIFICATION DESCRIPTION		CHANGE		Customer NO.			
A0		2013/10/24		NEW				Customer NO.			